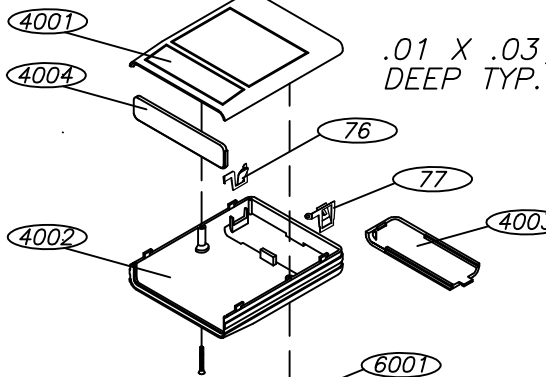
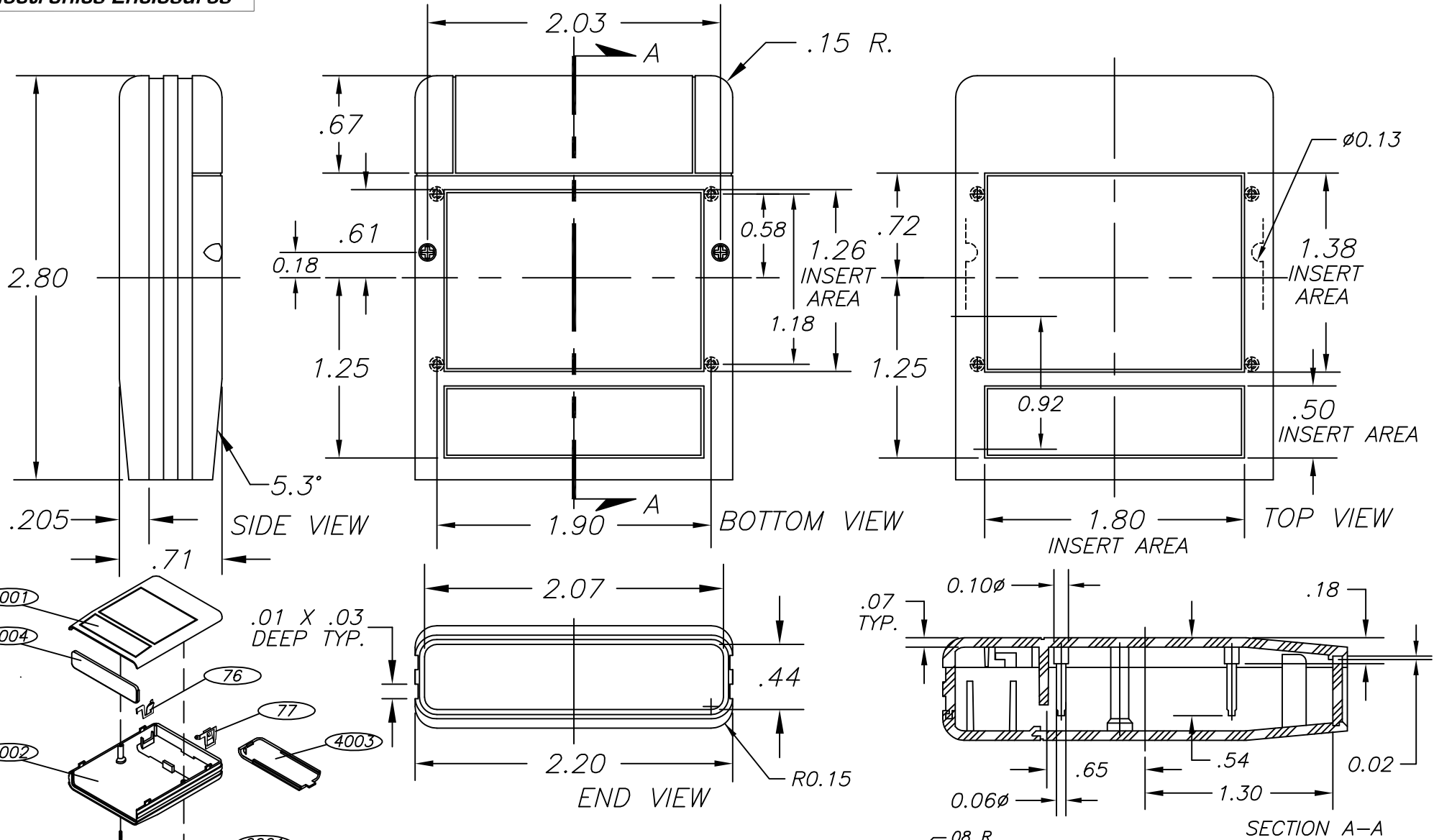


SERPAC M-4

Electronics Enclosures

NOTES:
1. WHEN MACHINE OR I PLATES MODIFICATIONS ARE REQUIRED, USE THE CENTER OF THE ENCLOSURE TO DIMENSION.



11-7-2008.

ALL DIMENSIONS $\pm .010$

PART NO.	DESCRIPTION	ACCESSORIES	
		PART NO.	DESCRIPTION
4001	PLASTIC TOP		
4004	PLASTIC FACE PLATE		
4003	PLASTIC BATTERY COVER	1030	PLASTIC POCKET CLIP
4002	PLASTIC BOTTOM	4004CL	CLEAR FACE PLATE
76	BATTERY CONTACTOR	4004IR	INFRARED FACE PLATE
77	BATTERY CONTACTOR	4004R	RED FACE PLATE
6001	SCREWS (2)		

